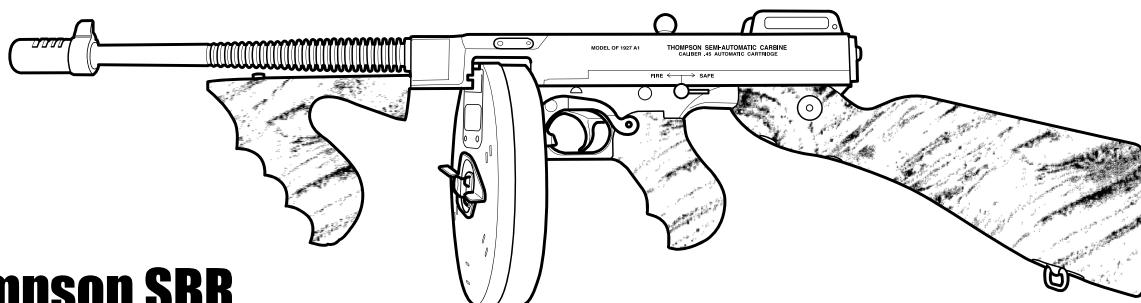


# T1SB

## Thompson SBR

Model: T1SB



### Thompson SBR

## "Short Barrel Semi-Auto Rifle"

Shown with optional 50 rd. drum magazine limited to 10 rd.

This is the original Thompson design made famous during the 1920's in the hands of gangsters and G-men. The operation is semi-auto, fires from a closed bolt and the barrel is 10.5" long. The frame and receiver are machined from solid steel and the stock is genuine American walnut. The finish is blued steel.

Thompson Short Barrel Rifles must be shipped to a Class 2 manufacturer or Class 3 dealer directly from our factory in Worcester, MA. The transfer paperwork between Kahr Arms/Auto-Ordnance and the dealer, known as a Form 3, must be completed and approved by the NFA branch, Bureau of Alcohol, Tobacco and Firearms (BATF) before the Thompson SBR can be shipped to the dealer. The customer needs to pay a \$200 transfer fee directly to the BATF. Your local dealer can assist you in this process.

Short Barrel Rifles (SBRs) are prohibited in AL, HI, IL, NJ, NY, RI, WA. However, local laws may also prohibit SBRs. Please check with your local law enforcement agencies.

#### Suggested Retail Pricing - Effective: January 1, 2009 -

#### Specifications

Item #	Retail Price	Description
<b>T1SB</b>	\$2,053.00	Thompson SBR, 10.5" barrel, Semi-Auto, .45 Cal.
<b>T11</b>	\$70.00	30 Rd. Stick Magazine, .45 Cal.
<b>T12BKT</b>	\$193.00	10 Rd. Drum Magazine, .45 Cal.
<b>T13KT</b>	\$299.00	50 Rd. Drum Magazine, .45 Cal.
<b>T14KT</b>	\$577.00	100 Rd. Drum Magazine, .45 Cal.
<b>T30</b>	\$157.00	Violin Case
<b>T7</b>	\$181.00	Thompson Hardcase
<b>T42</b>	\$139.00	"Tommy Gun" Padded Carry-All Rifle Case

<b>Caliber</b>	.45 ACP
<b>Barrel</b>	10.5", Finned (with compensator 12")
<b>Length</b>	35" overall
<b>Weight</b>	12 lbs.
<b>Sight</b>	Blade front, open rear adjustable
<b>Stock</b>	Walnut fixed stock, vertical foregrip
<b>Magazines</b>	30 Shot stick
<b>Warranty</b>	1 year

Tommy Guns are banned in CA and CT.

Specifications subject to change without notice

**Kahr**  
**Arms**

Thompson

**Kahr Arms:** 130 Goddard Memorial Dr., Worcester, MA 01603  
Sales Support & Service: 508-795-3919  
Websites: [www.tommygun.com](http://www.tommygun.com) / [www.tommygunshop.com](http://www.tommygunshop.com)